



SANY
AMERICA INC.

SRC885

Rough Terrain Crane



- 85 U.S. Tons (75 Metric Tons) @ 10 ft Radius
- 148 ft Max Tip Height (Main Boom)
- 52.5 ft Boom Extension

Product Guide



MOBILE LIFTING POWER WHERE YOU NEED IT

SANY America's powerful and versatile line of rough-terrain cranes brings the power to where you need it on virtually any type of job site. Whether your challenge involves a heavy lift on uneven ground or a pick-and-carry operation, count on SANY rough-terrain cranes to deliver.

The SANY SRC885 features maximum capacity of 85 U.S. tons and excellent reach of up to 209.7 feet through a five-section full-power boom. Hydraulic powered 4x4 steering delivers superior maneuverability, while the earthmover-style tires provide smooth ride, even in adverse ground conditions. Three-position outriggers level the crane with up to 12.4 inches of ground penetration and total horizontal extension of 24 feet.

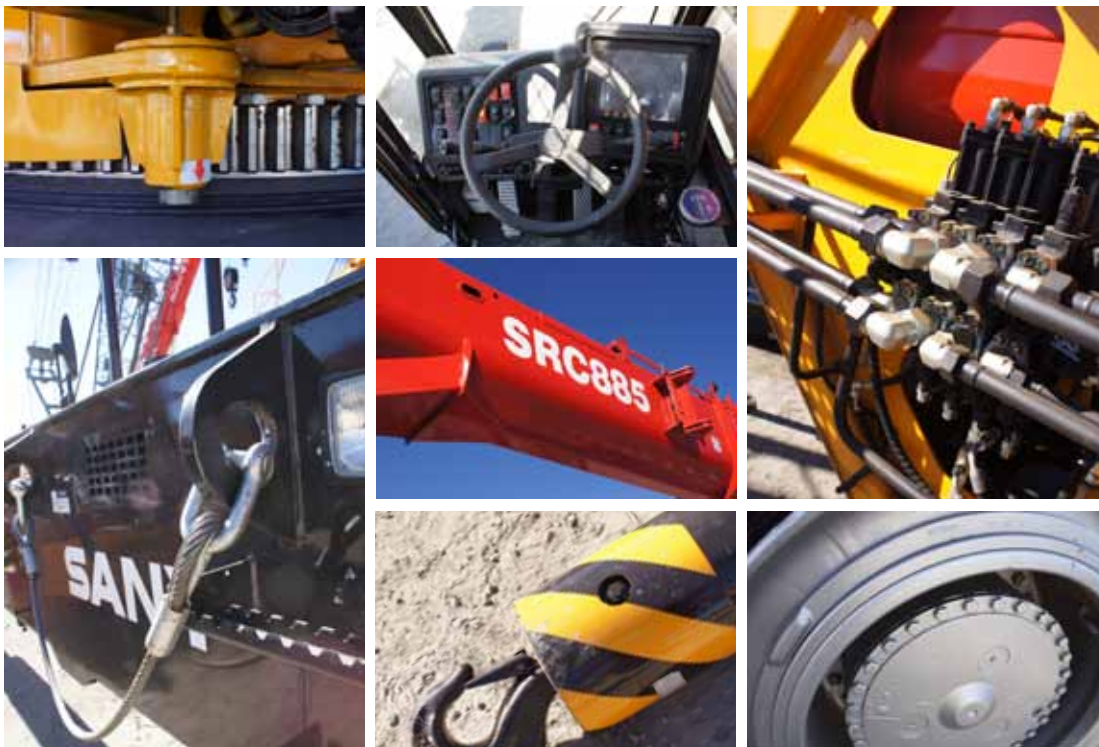


The 275 hp Cummins Tier 4i engine is perfectly integrated with the hydraulic system to deliver precise control and multi-function load sharing. Hydraulic joysticks give the operator smooth, variable control of crane functions. The two-speed swing system can

continuously rotate 360 degrees in either direction.

The cab gives the operator confident control with ergonomic design, optimum visibility and a deluxe, six-way adjustable seat. The SANY-designed LML is prominently displayed and easy to set up.

Reach. Power. Maneuverability. Stability. Simplicity. SANY rough-terrain cranes provide reliable operation no matter the weather or ground conditions as well as a lower lifetime cost of ownership and a higher return on investment.





OPERATOR'S CAB

Spacious ergonomic cab with all steel construction. Optimum visibility, tinted safety glass throughout. Opening skylight with visor and wiper system. Sliding door on the left hand side and a framed sliding window on the right hand side. Acoustical foam to absorb noise and insulate the cab. Deluxe six-way adjustable seat is equipped with mechanical suspension and includes arm rests and head rest.



SANY DESIGNED LML

The user-friendly SANY designed LML is prominently displayed and simple to set up and operate with full machine diagnostic capabilities.



QUALITY, BRAND-NAME COMPONENTS



Cummins engine coupled to **Parker & Husco** hydraulic components deliver high reliability and consistent performance.

SRC885



- Engine: Cummins Model QSB6.7 275 HP @ 2500 rpm
- Hydraulic system Parker piston pumps and Husco valves
- SANY designed LML with large display screen
- AxleTech axles and Dana Powershift transmission
- 147.6 ft., five section main boom and 30.2 ft – 52.5 ft extension
- *Standard features:*
 - Large cab
 - Horsepower limited pumps
 - Hydraulic joystick controls
 - Post compensated valves
 - SANY 24 volt electrical control system

Maximum Capacity @ Radius	85 U.S. Ton @ 10 ft
Main Boom	38.7 ft – 147.6 ft
Max Tip Height w/Extension	209.7 ft
Boom Extension	30.2 ft – 52.5 ft
Hoist Max Line Pull	20,590 lb
Wire Rope Diameter	3/4 in
Weight	115,880 lb
Length	46 ft 11 in
Height	12 ft 6.5 in
Width	11 ft
Max Gradeability	82% GVW
Tail Swing	14 ft 11 in

ENGINE

Cummins Model QSB6.7 Tier 4i
Power.....275 hp (205.1 kW)
Fuel Tank ...90 gal (340 L)



SWING SYSTEM

The swing system can rotate 360 degrees continuously in both directions. The independent swing circuit eliminates function interaction. Planetary drive offers two-speed swing for operator preference and precise load control. Maximum speed 2.0 rpm with a 14 ft 11 in swing area.



HYDRAULIC SYSTEM

Parker horsepower limited piston pumps with Husco post compensated valves provides multifunction load sharing and precise control. Energy saving system offers a lower operational cost. Oil cooler and pressure filter ensure long component life.

HOISTS

Braden main and auxiliary hoists are independently driven and controlled by the joysticks.
Rope Diameter 3/4 in
Max Line Speed 459 ft/min
Max Line Pull 20,590 lb
Drum Capacity 841 ft



CONTROLS

Hydraulic joysticks produce smooth variable control of crane functions. Drum rotation indicators are incorporated in the handles. Steering column mounted turn signals and transmission control. Foot pedals control swing brake, telescope, service brake and accelerator. High-Low hoist speed control switch in handle for ease of use. SANY electrical system includes LML and lockout with CAN bus for reduced complexity. Built-in diagnostics and engine instrumentation display. Electrical system is 24 volt.



COUNTERWEIGHT

Optional 2 piece counterweight allows flexibility for moving the crane and increased capacities. Total counterweight 28,660lbs. Travel restricted to 2.5 mph



OPERATOR'S CAB

Spacious ergonomic cab with all steel construction. Optimum visibility, tinted safety glass throughout. Openable skylight with visor and wiper system. Sliding door on the left side and a framed sliding window on the right side. Acoustical foam to absorb noise and insulate the cab. Deluxe six-way adjustable seat is equipped with mechanical suspension and includes arm rests and head rest.



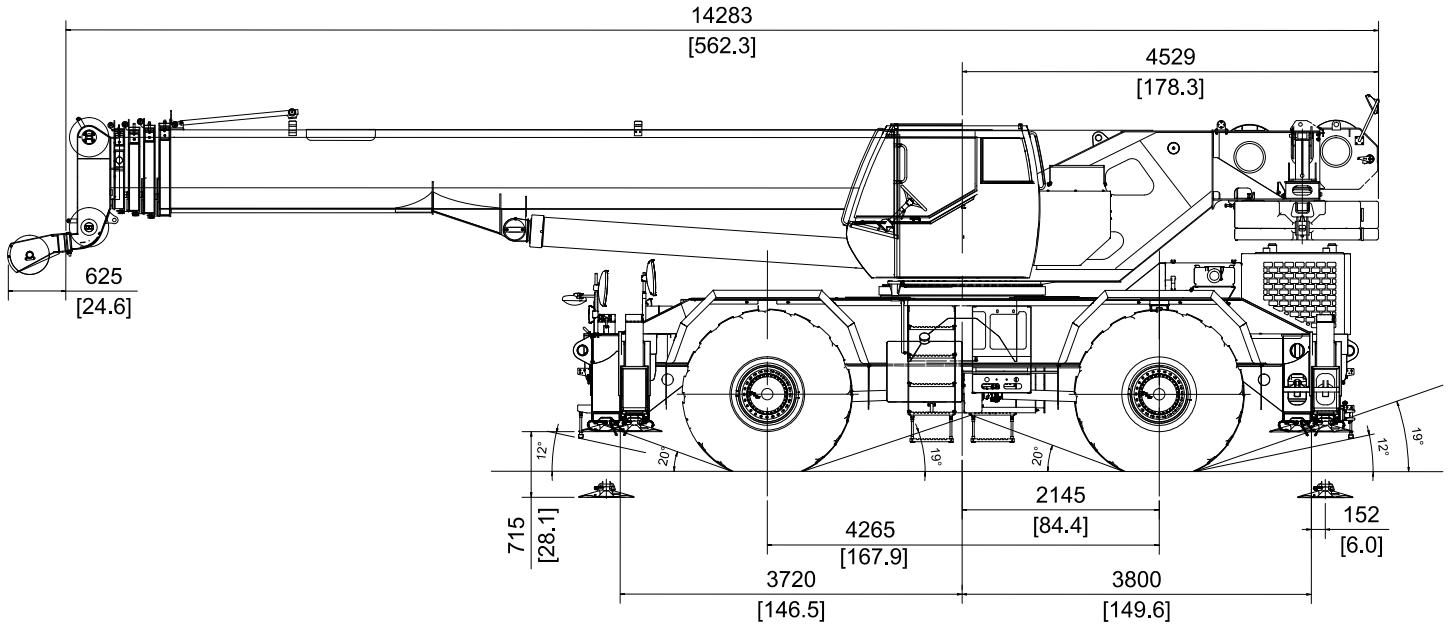
CARRIER

Equipped with 4x4 hydraulic powered steering for excellent maneuverability. Three position outriggers provide 12.44 inches of ground penetration and 24 ft of extension to level the crane. Superior accessibility from ground for ease of maintenance. Earthmover style 29.5 X 25 (38 PR) tires provide excellent flotation for off-road use. Dana powershift transmission includes six speeds forward and reverse with a maximum speed of 22 mph. AxleTech drive steer axles are supplied with hydraulic disk brakes and a spring-applied parking brake.

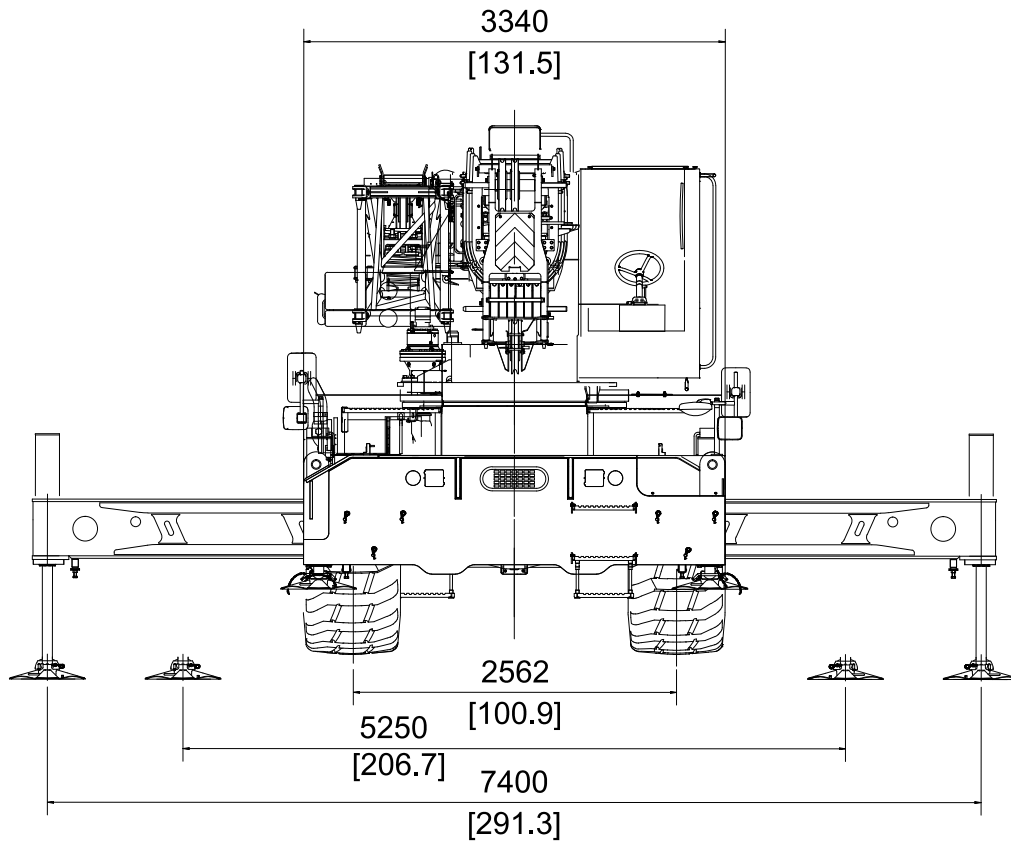
BOOM

Five section sequenced synchronized full power boom. Offering increased capacities with I and II mode selections. (38.7 ft – 147.6 ft) Boom elevation -2° to 78° with a maximum tip height of 157.2 ft. Side mounted bi-fold boom extension (30.2 ft – 52.5 ft) with 0°, 20°, and 40° offset. Maximum tip height of 208.7 ft.





*Dimensions in millimeters (inches)



*Dimensions in millimeters (inches)

Anti-Two-Block (A2B)

A limit switch and an actuation weight on load lines are provided prevent two-blocking of the hook block and the overhaul ball. When the lifting hook reaches its maximum height, a limit switch will activate the buzzer on the control panel, meanwhile the indicator light will blink and automatically stop the lifting operation of hook block.

Backup Alarm

A backup alarm will operate when the machine is placed in reverse.

Boom Angle Indicator

The boom angle is displayed on the LML console.

Boom Length Indicator

A cable reel is provided to measure the boom length and it is displayed on the LML console.

Crane Level Indicator

A bubble level displaying the machine angle is mounted in the operators cab.

Drum Brake

All hoist drums are equipped with a spring applied hydraulic released brake. The brake will automatically apply when the control handle returns to neutral.

Function Select Switch

The crane function switch is a 3 position switch that allows the operator to select different operating modes. The modes are Superstructure only, Carrier only and Pick & Carry.

Hoist Drum Rotation Indicator

All drums are equipped with an electric drum rotation indicator device that will vibrate the operator's joystick as the drum rotates.

Horn

The crane is supplied with a horn for the operator to warn personnel in the vicinity of the crane of a hazard.

Lighting

Equipped with driving lights in front of machine, stop turn & tail lights in the rear of the machine, operator's cab interior light, and a spot light mounted on the front of the cab and main boom

Load Holding Valves

Load holding valves are provided on all cylinders that support the load to prevent uncontrolled lowering of the boom in the event of a hydraulic system failure (e.g., supply hose rupture).

Load Moment Limiter

A Load Moment Limiter (LML) system is supplied to monitor the hook load and compare it with the rated load for the configuration indicated by the operator.

Outrigger Jack Integral Holding Valve

All four outrigger jacks are supplied with an integral holding valve to prevent cylinder retraction in the event of a hose failure.

Outrigger Position Sensor

Each outrigger beam is supplied with a position sensor to monitor the extension of the outrigger beams.

Rearview Mirror

Installed on the left of the operator's cab for monitoring the rear of the machine

Swing Lock

Mechanical pin lock to lock the crane in front position.

Seat Switch

The operator must be seated for all machine functions to work

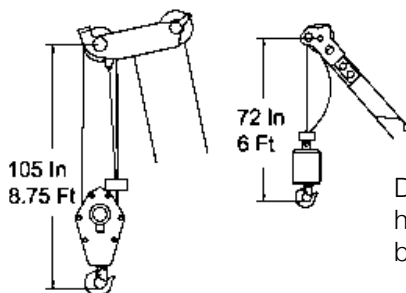
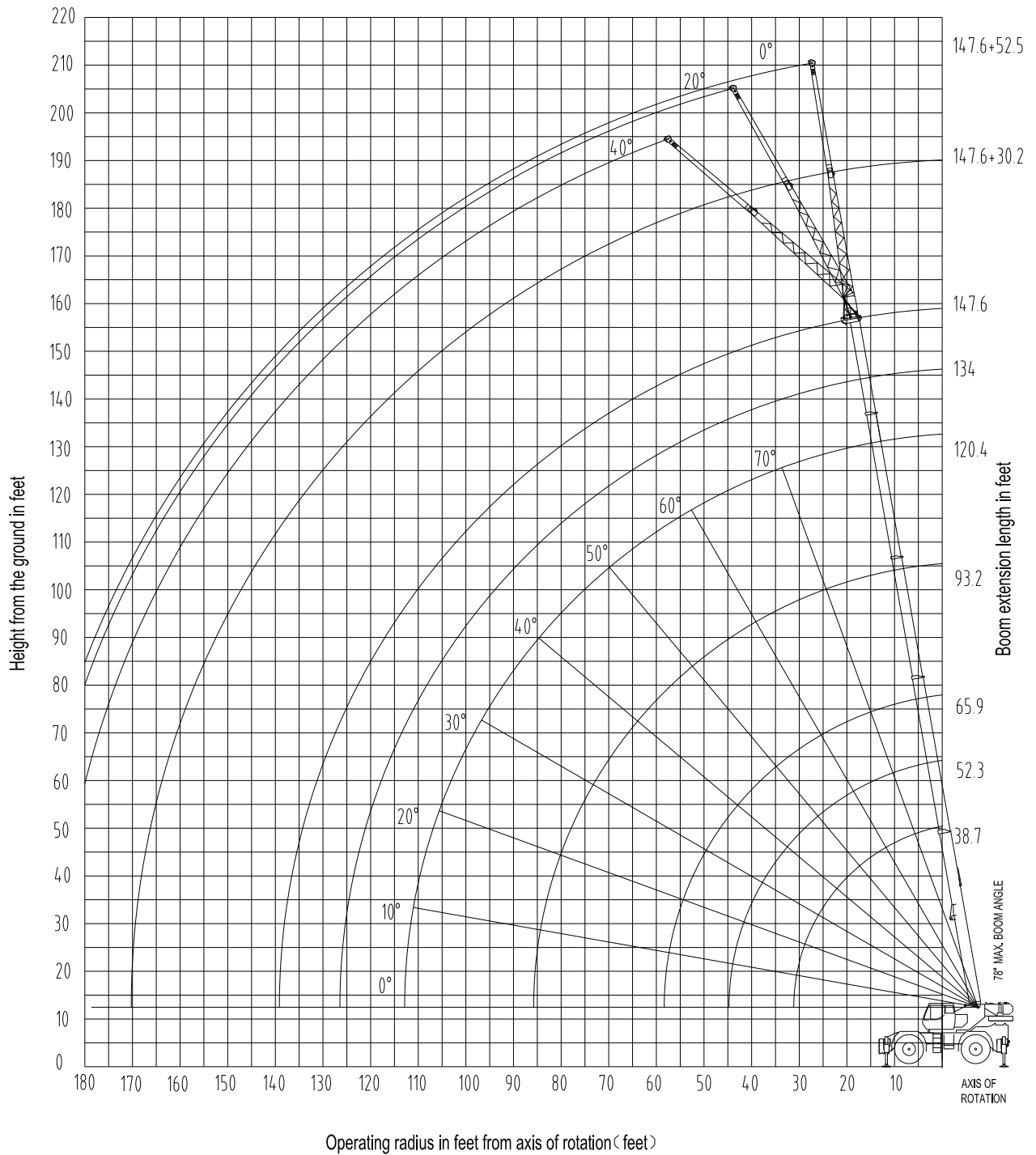
Third Wrap Indicator

A roller riding on the hoist wire rope will actuate a switch to warn the operator when 3 dead wraps are remaining. The system will sound a buzzer and an alarm indicator will be displayed on the instrument cluster and automatically stop the drum movement.

Wire Rope Guides

Lifting hooks are provided with guides to ensure the wire rope is maintained in the correct sheave location.

Working range 147.6 ft. Main Boom & 30.2-52.5 ft. bi-fold swingaway



Dimensions are for SANY 85 U.S. Ton hook block and 7.2 U.S. Ton overhaul ball with the anti-two block activated



**ON OUTRIGGERS 100% EXTENDED
MAIN BOOM 19,840 lb (9000kg) COUNTERWEIGHT**

SRC885 Load Chart, Fully Extended O/R, 360°, Counterweight 19,840 lb (9000kg)												
Radius (Feet)	38.7	52.3	52.3	65.9	65.9	93.2	93.2	120.4	120.4	134	134	147.6
10	170000 (67.5)	112430 (74)	66140 (74)									
12	152650 (64)	112430 (71.5)	66140 (71.5)	94800 (75.5)	62540 (75.5)							
15	122030 (59)	104850 (68)	66140 (68)	88480 (72.5)	54470 (72.5)	66140 (78)	35270 (78)					
20	89810 (49)	82700 (61.5)	65920 (61.5)	72070 (68)	41700 (68)	59630 (77)	33070 (77)					
25	68930 (37.5)	67130 (55)	61460 (55)	58030 (63)	30330 (63)	50670 (73.5)	29490 (73.5)	33900 (78)	20940 (78)	20940 (78)	20940 (78)	
30	49780 (19)	54830 (47.5)	54470 (47.5)	47950 (58)	26130 (58)	42090 (70)	25710 (70)	31770 (75.5)	19840 (75.5)	20940 (77)	20940 (77)	20850 (78)
35		41410 (39)	45090 (39)	39680 (52.5)	22770 (52.5)	35480 (65)	19020 (65)	29310 (73)	18950 (73)	20940 (75)	20940 (75)	19990 (76.5)
40		31420 (28)	34950 (28)	30850 (46.5)	19630 (46.5)	30350 (63.5)	15000 (63.5)	25960 (70.5)	18000 (70.5)	20900 (72.5)	20940 (72.5)	19340 (74.5)
45				24270 (40)	17950 (40)	26470 (59.5)	13290 (59.5)	21880 (67.5)	15500 (67.5)	20970 (70.5)	20940 (70.5)	18990 (72.5)
50				19430 (32)	16270 (32)	21600 (56)	11770 (56)	19190 (65)	12800 (65)	18450 (68)	18580 (68)	17640 (70.5)
55						17320 (52)	10600 (52)	16840 (62.5)	9900 (62.5)	16180 (65.5)	16400 (65.5)	15960 (68)
60						13810 (47.5)	9820 (47.5)	14890 (59.5)	8700 (59.5)	14230 (63)	14480 (63)	14040 (66)
65						11130 (43)	9320 (43)	13210 (56.5)	8330 (56.5)	12550 (60.5)	12970 (60.5)	12530 (64)
70						8880 (37.5)	8670 (37.5)	11380 (53.5)	7900 (53.5)	11160 (58)	11600 (58)	11160 (61.5)
75						6890 (31.5)	7800 (31.5)	9630 (50.5)	7470 (50.5)	10010 (55.5)	10350 (55.5)	9960 (59.5)
80						5320 (24)	6970 (24)	8660 (47)	7040 (47)	9000 (52.5)	9220 (52.5)	8910 (57)
85						4560 (16.5)	6630 (16.5)	7250 (43.5)	6600 (43.5)	7990 (49.5)	8210 (49.5)	7990 (54.5)
90								6250 (39.5)	5500 (39.5)	7140 (46.5)	7360 (46.5)	7160 (52)
95								5150 (35)	4950 (35)	6300 (43.5)	6630 (43.5)	6250 (49.5)
100								4350 (30.5)	4400 (30.5)	5460 (40)	5960 (40)	5420 (46.5)
105								3650 (24.5)	4000 (24.5)	4630 (36.5)	5290 (36.5)	4700 (45.5)
110								3150 (17)	3620 (17)	3950 (32)	4700 (32)	4050 (40.5)
115										3340 (27.5)	4050 (27.5)	3320 (37.5)
120										2770 (21.5)	3440 (21.5)	2700 (33.5)
125										2230 (14)	2940 (14)	2000 (30)
Min. degree												22
0 deg	27780	16200	15650	9190	11310	4540	6080	1940	3460	1230	1680	0
Part Line	12	9	9	9	9	6	6	5	5	5	5	3
Mode	I,II	I	II	I	II	I	II	I	II	I	II	I,II
TELE1	0	0.5	0	1	0	1	0	1	0	1	0.5	1
TELE2	0	0	0.17	0	0.33	0.33	0.66	0.66	1	0.83	1	1
TELE3	0	0	0.17	0	0.33	0.33	0.66	0.66	1	0.83	1	1
TELE4	0	0	0.17	0	0.33	0.33	0.66	0.66	1	0.83	1	1

Number in parentheses () is the Boom Angle in Degrees.

* This rated load is with the boom at the maximum boom angle.

* This chart is only a guide and should never be used to operate the crane!



MAIN BOOM 28,660lb (13000kg) COUNTERWEIGHT

SRC885 Load Chart, Fully Extended O/R, 360°, Counterweight 28,660lb (13000kg)												
Radius (Feet)	38.7	52.3	52.3	65.9	65.9	93.2	93.2	120.4	120.4	134	134	147.6
10	170000 (67.5)	112430 (74)	66140 (74)									
12	152650 (64)	112430 (71.5)	66140 (71.5)	94800 (75.5)	62540 (75.5)							
15	122030 (59)	104850 (68)	66140 (68)	88480 (72.5)	54470 (72.5)	66140 (78)	35270 (78)					
20	89810 (49)	82700 (61.5)	65920 (61.5)	72070 (68)	41700 (68)	59630 (77)	33070 (77)					
25	68930 (37.5)	67130 (55)	61460 (55)	58030 (63)	30330 (63)	50670 (73.5)	29490 (73.5)	33900 (78)	20940 □78□	20940 (78)	20940 □78□	
30	56890 (19)	55390 (47.5)	55040 (47.5)	47950 (58)	26130 (58)	42090 (70)	25710 (70)	31770 (75.5)	19840 □75.5□	20940 (77)	20940 □77□	20850 (78)
35		47110 (39)	51070 (39)	40500 (52.5)	22770 □52.5□	35480 (65)	19020 (65)	29310 (73)	18950 □73□	20940 (75)	20940 □75□	19990 (76.5)
40		37550 (28)	40990 (28)	34510 (46.5)	20100 □46.5□	30350 (63.5)	15000 (63.5)	25960 (70.5)	18000 □70.5□	20900 (72.5)	20940 □72.5□	19340 (74.5)
45				29030 (40)	17800 □40□	26470 (59.5)	13290 (59.5)	21880 (67.5)	15500 □67.5□	20970 (70.5)	20940 □70.5□	18990 (72.5)
50				23900 (32)	16500 □32□	23210 (56)	11770 (56)	19190 (65)	12800 □65□	18450 (68)	18580 □68□	17640 (70.5)
55						20430 (52)	10600 (52)	16840 (62.5)	9900 □62.5□	16180 (65.5)	16400 □65.5□	15960 (68)
60						18040 (47.5)	9820 (47.5)	14890 (59.5)	8700 □59.5□	14230 (63)	14480 □63□	14040 (66)
65						16020 (44)	9320 (43)	13210 (56.5)	8330 □56.5□	12550 (60.5)	12970 □60.5□	12530 (64)
70						13840 (37.5)	8670 (37.5)	11380 (53.5)	7900 □53.5□	11160 (58)	11600 □58□	11160 (61.5)
75						11890 (31.5)	7880 □31.5□	10490 (50.5)	7470 □50.5□	10010 (55.5)	10350 □55.5□	9960 (59.5)
80						10200 (24)	7050 □24□	9340 (47)	7040 □47□	9000 (52.5)	9220 □52.5□	8910 (57)
85						8750 (16.5)	6800 □16.5□	8320 (43.5)	6600 □43.5□	7990 (49.5)	8210 □49.5□	7990 (54.5)
90								7430 (39.5)	5500 □39.5□	7140 (46.5)	7360 □46.5□	7160 (52)
95								6610 (35)	4950 □35□	6380 (43.5)	6630 □43.5□	6250 (49.5)
100								5870 (30.5)	4580 □30.5□	5680 (40)	6090 □40□	5710 (46.5)
105								5190 (24.5)	4290 □24.5□	5030 (36.5)	5460 □36.5□	5090 (45.5)
110								4550 (17)	3880 □17□	4450 (32)	4880 □32□	4520 (40.5)
115										3920 (27.5)	4350 □27.5□	4000 (37.5)
120										3410 (21)	3860 □21□	3520 (33.5)
125										2940 (14)	3390 □14□	3060 (30)
130												2650 (24.5)
135												2270 (18.5)
Min. degree												18
0 deg	27780	16200	15650	9190	11310	4540	6080	1940	3460	1230	1680	0
Part Line	12	9	9	9	9	6	6	5	5	5	5	3
Mode	I,II	I	II	I	II	I	II	I	II	I	II	I,II
TELE1	0	0.5	0	1	0	1	0	1	0	1	0.5	1
TELE2	0	0	0.17	0	0.33	0.33	0.66	0.66	1	0.83	1	1
TELE3	0	0	0.17	0	0.33	0.33	0.66	0.66	1	0.83	1	1
TELE4	0	0	0.17	0	0.33	0.33	0.66	0.66	1	0.83	1	1

Number in parentheses () is the Boom Angle in Degrees.

* This rated load is with the boom at the maximum boom angle

* This chart is only a guide and should never be used to operate the crane!



FOLDING BOOM EXTENSION

FULLY EXTENDED OUTRIGGERS 19,840 lb (9000kg) COUNTERWEIGHT

Sany SRC885 Load Chart in Pounds, Boom Extension – Fully Extended O/R, 360° 19,840 lb (9000kg) COUNTERWEIGHT													
Radius (Feet)	147.5+30.2						147.5+52.5						Radius (Feet)
	Offset Angle						Offset Angle						
	0°		20°		40°		0°		20°		40°		
	lbs	degree	lbs	degree	lbs	degree	lbs	degree	lbs	degree	lbs	degree	
40	12630	74.5											40
45	12630	72.8	12090	75.6			6980	74.8					45
50	12630	71.1	12040	73.9			6980	73.3					50
55	12630	69.4	11710	72.2	9220	74.4	6980	71.8					55
60	12630	67.7	11340	70.5	9040	72.6	6980	70.3	6400	74.9			60
65	12364	65.9	11060	68.7	8910	70.8	6980	68.8	6250	73.4			65
70	12020	64.2	10740	66.9	8770	69.0	6840	67.2	6110	71.8	4410	75.5	70
75	11120	62.4	10350	65.1	8640	67.1	6690	65.7	5980	70.2	4380	73.9	75
80	9950	60.5	9900	63.2	8530	65.2	6430	64.1	5850	68.6	4340	72.2	80
85	9130	58.6	9180	61.3	8260	63.2	6020	62.5	5730	67.0	4320	70.5	85
90	7960	56.7	8290	59.4	7920	61.2	5660	60.8	5620	65.3	4300	68.8	90
95	6930	54.8	7630	57.4	7520	59.2	5330	59.2	5510	63.6	4230	67.0	95
100	6020	52.8	6660	55.4	6620	57.1	5030	57.5	5410	61.9	4180	65.2	100
105	5210	50.7	5800	53.3	5360	54.9	4710	55.8	5200	60.2	4140	63.4	105
110	4480	48.6	5020	51.2	5070	52.7	4420	54.0	4950	58.4	4010	61.5	110
115	3820	46.4	4310	48.9	4610	50.4	4180	52.2	4700	56.6	3920	59.6	115
120	3230	44.2	3670	46.6	3930	47.9	3620	50.4	4370	54.7	3730	57.6	120
125	2680	41.8	3090	44.2	3310	45.4	3070	48.5	3890	52.8	3570	55.6	125
130	2190	39.3	2550	41.7	2730	42.7	2570	46.6	3330	50.8	3160	53.5	130
135	1730	36.7	2060	39.0	2200	39.9	2110	44.6	2810	48.8	2860	51.2	135
140	1310	33.9	1600	36.2	1710	36.8	1690	42.5	2330	46.6	2330	48.9	140
145			1180	33.1	1250	33.4	1300	40.3	1890	44.4	2130	46.5	145
150									1470	42.1	1770	44.0	150
155									1090	39.6	1330	41.2	155
160													160
165													165
Min Angle(°)	28		28		40		36		37		40		

* This chart is only a guide and should never be used to operate the crane!

FOLDING BOOM EXTENSION CAPACITY NOTES:

WARNING: Operation of this machine with heavier loads than the capacities listed is strictly prohibited. Machine tipping with boom extension occurs rapidly and without advance warning.

1. Capacities above the bold line are based on the structural strength of the boom extension.
2. The capacities listed are with the outriggers fully extended and vertical jacks properly set only.
3. The boom extension may only be used for single line lifting service.
4. Use only the load which corresponds to the boom extension length and offset angle as the machine is configured.
5. For main boom lengths less than fully extended with the boom extension erected, the boom extension rated loads are determined by the boom angle not the radius.
6. For boom angles not shown, use the rating of the next lower boom angle.
7. The boom angle is defined as the angle above or below the horizontal line of the longitudinal axis of the boom base section after lifting the rated load.
8. When lifting over the main boom nose with the boom extension erected, the outriggers must be fully extended and the proper load reduction must be used.
9. Do not lower the boom below the Minimum Boom Angle with the extension erected. Fully retract the boom to lower the boom below the Minimum Boom Angle.

FULLY EXTENDED OUTRIGGERS 28,660 lb (13000kg) COUNTERWEIGHT

Sany SRC885 Load Chart in Pounds, Boom Extension – Fully Extended O/R, 360° 28,660 lb (13000kg) COUNTERWEIGHT													
Radius (Feet)	147.5+30.2						147.5+52.5						Radius (Feet)
	Offset Angle						Offset Angle						
	0°		20°		40°		0°		20°		40°		
	lbs	degree	lbs	degree	lbs	degree	lbs	degree	lbs	degree	lbs	degree	
40	12630	74.5											40
45	12630	72.8	12090	75.6			6980	74.8					45
50	12630	71.1	12040	73.9			6980	73.3					50
55	12630	69.4	11710	72.2	9220	74.4	6980	71.8					55
60	12630	67.7	11340	70.5	9040	72.6	6980	70.3	6400	74.9			60
65	12364	65.9	11060	68.7	8910	70.8	6980	68.8	6250	73.4			65
70	12020	64.2	10740	66.9	8770	69.0	6840	67.2	6110	71.8	4410	75.5	70
75	11300	62.4	10350	65.1	8640	67.1	6690	65.7	5980	70.2	4380	73.9	75
80	10500	60.5	9900	63.2	8530	65.2	6430	64.1	5850	68.6	4340	72.2	80
85	10000	58.6	9500	61.3	8260	63.2	6020	62.5	5730	67.0	4320	70.5	85
90	8750	56.7	9100	59.4	7920	61.2	5660	60.8	5620	65.3	4300	68.8	90
95	7670	54.8	8500	57.4	7520	59.2	5330	59.2	5510	63.6	4230	67.0	95
100	6730	52.8	7370	55.4	6620	57.1	5030	57.5	5410	61.9	4180	65.2	100
105	5880	50.7	6470	53.3	5560	54.9	4710	55.8	5200	60.2	4140	63.4	105
110	5120	48.6	5560	51.2	5270	52.7	4420	54.0	4950	58.4	4010	61.5	110
115	4430	46.4	4920	48.9	4820	50.4	4230	52.2	4700	56.6	3920	59.6	115
120	3820	44.2	4260	46.6	4520	47.9	4000	50.4	4400	54.7	3730	57.6	120
125	3240	41.8	3650	44.2	3870	45.4	3630	48.5	4100	52.8	3570	55.6	125
130	2730	39.3	3090	41.7	3270	42.7	3110	46.6	3870	50.8	3160	53.5	130
135	2250	36.7	2580	39.0	2720	39.9	2630	44.6	3330	48.8	2860	51.2	135
140	1810	33.9	2100	36.2	2210	36.8	2190	42.5	2830	46.6	2330	48.9	140
145	1420	34.0	1670	33.1	1740	33.4	1790	40.3	2380	44.4	2150	46.5	145
150									1940	42.1	2000	44.0	150
155									1540	39.6	1700	41.2	155
160													160
165													165
Min Angle(°)	28		28		40		36		37		40		

* This chart is only a guide and should never be used to operate the crane!



ON OUTRIGGERS 50% EXTENDED

MAIN BOOM 19,840 lb (9000kg) COUNTERWEIGHT

SRC885 Load Chart, 50% Extended O/R, 360°, Counterweight 19,840 lb (9000kg)												
Radius (Feet)	38.7	52.3	52.3	65.9	65.9	93.2	93.2	120.4	120.4	134	134	147.6
10	170000 (67.5)	112430 (74)	66140 (74)									
12	152650 (64)	112430 (71.5)	66140 (71.5)	94800 (75.5)	62540 (75)							
15	121620 (59)	104850 (68)	66140 (68)	88480 (72.5)	54470 (72.5)	66140 (78)	35270 (78)					
20	70380 (49)	68690 (61.5)	65850 (61.5)	67360 (68)	41700 (68)	59630 (76)	33070 (76)					
25	45540 (37.5)	44110 (55)	48280 (55)	42970 (63.0)	30030 (63.0)	46920 (72.5)	29490 (72.5)	33900 (78)	20940 (78)	20940 (78)	20940 (78)	
30	31380 (19)	30420 (47.5)	34130 (47.5)	29390 (58)	25130 (58)	33090 (69)	25010 (69)	31620 (75.5)	19840 (75.5)	20940 (77.0)	20940 (77)	20850 (78)
35		22210 (39)	25650 (39)	21250 (52.5)	21670 (52.5)	24660 (66)	19020 (66)	26420 (74.5)	18950 (74.5)	20940 (75)	20940 (75)	19990 (76.5)
40		16400 (28)	19650 (28)	15670 (46.5)	17530 (46.5)	18890 (62.5)	15000 (62.5)	20540 (70.5)	17080 (70.5)	20500 (72)	20590 (72)	19150 (74.5)
45				11660 (40)	15010 (40)	14740 (58.5)	13290 (58.5)	16310 (66.5)	15500 (67.5)	17040 (69.5)	17820 (69.5)	17160 (72.5)
50				8630 (32)	13840 (32)	11600 (55)	11770 (55)	13120 (64)	12800 (64.5)	13960 (67)	14860 (67)	14340 (69.5)
55						9080 (51)	10600 (51)	10550 (61.5)	9200 (62)	11370 (64.5)	12240 (64.5)	11730 (67)
60						7020 (46.5)	9820 (46.5)	8460 (58.5)	8600 (59)	9260 (62)	10110 (62)	9610 (65)
65						5370 (42)	8430 (41)	6780 (55.5)	8330 (56)	7550 (59.5)	8390 (59.5)	7900 (63)
70						4020 (36.5)	7030 (36.5)	5400 (52.5)	7880 (53)	6160 (57)	6990 (57)	6510 (60.5)
75						2850 (30.5)	5820 (30.5)	4200 (49.5)	6650 (50)	4960 (54.5)	5780 (54.5)	5290 (58.5)
80						1830 (23)	4770 (23)	3170 (46)	5580 (46.5)	3910 (51.5)	4720 (52)	4240 (56)
85								2270 (42.5)	4660 (43)	3000 (48.5)	3800 (49)	3330 (53.5)
90								1500 (38.5)	3870 (39)	2230 (45.5)	3020 (46)	2550 (51)
95										1530 (42.5)	2320 (42.5)	1850 (48.5)
100											1690 (39)	1230 (45.5)
105											1130 (35.5)	660 (41.5)
110												
Min. degree								31	25	36	30	40
0 deg	27780	12610	15650	4770	9760	850	3760					
Part Line	12	9	9	9	9	6	6	5	5	5	5	3
mode	I,II	I	II	I	II	I	II	I	II	I	II	I,II
TELE1	0	0.5	0	1	0	1	0	1	0	1	0.5	1
TELE2	0	0	0.17	0	0.33	0.33	0.66	0.66	1	0.83	1	1
TELE3	0	0	0.17	0	0.33	0.33	0.66	0.66	1	0.83	1	1
TELE4	0	0	0.17	0	0.33	0.33	0.66	0.66	1	0.83	1	1

Number in parentheses () is the Boom Angle in Degrees.

* This rated load is with the boom at the maximum boom angle.

* This chart is only a guide and should never be used to operate the crane!



MAIN BOOM 28,660 lb (13000kg) COUNTERWEIGHT

SRC885 Load Chart, 50% Extended O/R, 360° Counterweight 28,660 lb (13000kg)												
Radius (Feet.)	38.7	52.3	52.3	65.9	65.9	93.2	93.2	120.4	120.4	134.0	134.0	147.6
10	170000 (67.5)	112430 (74)	66140 □74□									
12	152650 (64)	112430 (71.5)	66140 □71.5□	94800 (75.5)	62540 □75□							
15	122030 (59)	104850 (68)	66140 □68□	88480 (72.5)	54470 □72.5□	66140 (78)	35270 □78□					
20	82830 (49)	81140 (61.5)	65920 □61.5□	72070 (68)	41700 □68□	59630 (77)	33070 □77□					
25	54250 (37.5)	52810 (55)	56980 □55□	51680 (63)	30330 □63□	50670 (73.5)	29490 □73.5□	33900 (78)	20940 □78□	20940 (78)	20940 (78)	
30	37950 (19)	37030 (47.5)	40750 (47.5)	36010 (58)	26130 (58)	39710 (69)	25710 (70)	31770 (75.5)	19840 (75.5)	20940 (77)	20940 (77)	20850 (78)
35		27580 (39)	31020 (39)	26610 (52.5)	22770 (52.5)	30030 (66)	19020 (67)	29310 (73)	18950 (73)	20940 (75)	20940 (75)	19990 (76.5)
40		20880 (28)	24140 (28)	20180 (46.5)	20100 (46.5)	23400 (62.5)	15000 (63.5)	25040 (69.5)	18000 (70.5)	20870 (71.5)	20940 (71.5)	19340 (74.5)
45				15550 (40)	17800 (40)	18630 (58.5)	13290 (59.5)	20210 (66.5)	15500 (67.5)	20290 (69.5)	20940 (69.5)	18990 (72.5)
50				12060 (32)	16500 □32□	15030 (55.5)	11770 □56□	16550 (64)	12800 □65□	17390 (67)	18140 (67)	17080 (69.5)
55						12130 (51)	10600 □52□	13610 (61.5)	9900 □62.5□	14420 (64.5)	15290 (64.5)	14790 (67)
60						9770 (46.5)	9820 □47.5□	11210 (58.5)	8700 □59.5□	12010 (62)	12860 (62)	12360 (65)
65						7880 (42)	9320 □44□	9280 (56.5)	8330 □56.5□	10060 (59.5)	10900 (59.5)	10410 (63)
70						6320 (36.5)	8670 □37.5□	7700 (52.5)	7900 □53.5□	8470 (57)	9290 (57)	8810 (60.5)
75						4980 (30.5)	7880 □31.5□	6330 (49.5)	7470 □50.5□	7090 (54.5)	7900 (55)	7420 (58.5)
80						3810 (23)	6750 □23.5□	5140 (46)	7040 □47□	5890 (51.5)	6700 (51.5)	6220 (56)
85						2800 (12)	5710 □14.5□	4110 (42.5)	6510 □43□	4850 (48.5)	5650 (48.5)	5180 (53.5)
90								3240 (38.5)	5610 □39.0□	3960 (45.5)	4760 (45.5)	4290 (51)
95								2450 (34)	4800 □34.5□	3170 (45.5)	3960 (45.5)	3490 (48.5)
100								1740 (29.5)	4080 □30□	2450 (39)	3240 (39)	2770 (45.5)
105								1110 (23.5)	3430 □24□	1810 (35.5)	2590 (35.5)	2130 (42.5)
110										1250 (31)	2020 (31)	1560 (39.5)
115											1500 (25.5)	1040 (36)
120												
Min degree								14	12	23	15	31
0 deg	27780	12610	15650	4770	9760	850	3760					
Part Line	12	9	9	9	9	6	6	5	5	5	5	3
Mode	I,II	I	II	I	II	I	II	I	II	I	II	I,II
TELE1	0%	50%	0%	100%	0%	100%	0%	100%	0%	100%	50%	100%
TELE2	0%	0%	17%	0%	33%	33%	66%	66%	100%	83%	100%	100%
TELE3	0%	0%	17%	0%	33%	33%	66%	66%	100%	83%	100%	100%
TELE4	0%	0%	17%	0%	33%	33%	66%	66%	100%	83%	100%	100%

Number in parentheses () is the Boom Angle in Degrees.

* This rated load is with the boom at the maximum boom angle.

* This chart is only a guide and should never be used to operate the crane!



ON OUTRIGGERS 0% EXTENDED

MAIN BOOM 19,840 lb (9000kg) COUNTERWEIGHT

SRC885 Load Chart, 0% Extended O/R, 360°, Counterweight 19,840 lb (9000kg)												
Radius (Feet)	38.7	52.3	52.3	65.9	65.9	93.2	93.2	120.4	120.4	134.0	134.0	147.6
10	121900 (67.5)											
12	83350 (64)	81440 (71.5)	66140 □71.5□	79940 (75.5)	62540 □75.5□							
15	53880 (59)	52310 (68)	56920 □68□	51070 (72.5)	54470 □72.5□	55710 (78)	35270 □78□					
20	31720 (49)	30400 (61.5)	34200 □61.5□	29350 (68)	35900 □68□	33150 (75)	33070 □77□					
25	20910 (37.5)	19710 (55)	23130 □55□	18760 (63)	24630 □63□	22150 (71.5)	24880 □71.5□	23880 (78)	20940 □78□	20940 (78)	20940 □78□	
30		13070 (47.5)	16240 □47.5□	12180 (58)	17640 □58□	15310 (68)	17740 □68□	16910 (73.5)	18220 □73.5□	17800 (75)	18730 □75□	18200 (78)
35		8770 (39)	11790 □39□	7920 (52.5)	13110 □52.5□	10880 (65)	13110 □65□	12400 (71)	14070 □71□	13240 (73)	14130 □73□	13620 (74.5)
40		5600 (28)	8500 □28□	4860 (46.5)	9860 □46.5□	7710 (61.5)	9790 □61.5□	9160 (68.5)	11740 □68.5□	9970 (70.5)	10830 □70.5□	10330 (72.5)
45				2590 (40)	7440 □40□	5350 (57.5)	7330 □57.5□	6760 (65.5)	9260 □65.5□	7540 (68.5)	8370 □68.5□	7880 (70.5)
50					5580 □32□	3520 (54)	5420 □54□	4890 (63)	7350 □63□	5650 (66)	6470 □66□	5990 (68.5)
55						2030 (50)	3860 □50□	3370 (60.5)	5770 □60.5□	4110 (63.5)	4910 □63.5□	4440 (66)
60							2560 □45.5□	2100 (57.5)	4470 □57.5□	2830 (61)	3630 □61□	3160 (64)
65							1510 □41□	1070 (54.5)	3410 □54.5□	1790 (58.5)	2580 □58.5□	2110 (62)
70									2530 □51.5□	930 (56)	1700 □56□	1250 (59.5)
75												
Max Degree	74	78										
Min degree				31		44	25	52	41	55	52	57
0 degree	13000	3450	6270		3140							
Part Line	12	9	9	9	9	6	6	5	5	5	5	3
Mode	I,II	I	II	I	II	I	II	I	II	I	II	I,II
TELE1	0%	50%	0%	100%	0%	100%	0%	100%	0%	100%	50%	100%
TELE2	0%	0%	17%	0%	33%	33%	66%	66%	100%	83%	100%	100%
TELE3	0%	0%	17%	0%	33%	33%	66%	66%	100%	83%	100%	100%
TELE4	0%	0%	17%	0%	33%	33%	66%	66%	100%	83%	100%	100%

Number in parentheses () is the Boom Angle in Degrees.

* This rated load is with the boom at the maximum boom angle.

* This chart is only a guide and should never be used to operate the crane!



MAIN BOOM 28,660 lb (13000kg) COUNTERWEIGHT

SRC885 Load Chart, 0% Extended O/R, 360°, Counterweight 28,660 lb (13000kg)												
Radius (Feet)	38.7	52.3	52.3	65.9	65.9	93.2	93.2	120.4	120.4	134.0	134.0	147.6
12	100160 (64)											
15	65490 (59)	63920 (68)	65020 (68) □68□	62680 (72.5)	62540 (75.5) □75.5□	64850 (78)	35270 (78) □78□					
20	39420 (49)	38100 (61.5)	41900 (61.5) □61.5□	37050 (68)	43600 (68) □68□	40850 (75)	33070 (77) □77□					
25	26700 (37.5)	25510 (55)	28920 (55) □55□	24550 (63)	30430 (63) □63□	27940 (71.5)	29490 (73.5) □73.5□	29680 (78)	20940 (78) □78□	20940 (78)	20940 (78) □78□	
30	18630 (19)	17680 (47.5)	20850 (47.5) □47.5□	16790 (58)	22240 (58) □58□	19920 (68)	23340 (68) □68□	21520 (73.5)	19840 (75.5) □75.5□	20680 (75)	20810 (75) □75□	20730 (78)
35		12610 (39)	15630 (39) □39□	11760 (52.5)	16940 (52.5) □52.5□	14720 (65)	17980 (65) □65□	16240 (71)	18410 (71) □71□	17080 (73)	17970 (73) □73□	17460 (74.5)
40		8870 (28)	11770 (28) □28□	8150 (46.5)	13150 (46.5) □46.5□	11000 (61.5)	14140 (61.5) □61.5□	12450 (68.5)	15030 (68.5) □68.5□	13260 (70.5)	14110 (70.5) □70.5□	13620 (72.5)
45				5470 (40)	10320 (40) □40□	8230 (57.5)	11280 (57.5) □57.5□	9630 (65.5)	12140 (65.5) □65.5□	10410 (68.5)	11250 (68.5) □68.5□	10760 (70.5)
50				3400 (32)	8140 (32) □32□	6080 (54)	9070 (54) □54□	7450 (63)	9910 (63) □63□	8210 (66)	9030 (66) □66□	8550 (68.5)
55						4330 (50)	7260 (50) □50□	5670 (60.5)	8080 (60.5) □60.5□	6410 (63.5)	7220 (63.5) □63.5□	6740 (66)
60						2880 (45.5)	5760 (45.5) □45.5□	4190 (57.5)	6560 (57.5) □57.5□	4920 (61)	5710 (61) □61□	5250 (64)
65						1690 (41)	4540 (41) □41□	2990 (54.5)	5330 (54.5) □54.5□	3710 (58.5)	4490 (58.5) □58.5□	4030 (62)
70							3520 (35.5) □35.5□	1990 (51.5)	4300 (51.5) □51.5□	2700 (56)	3470 (56) □56□	3010 (59.5)
75									3410 (48.5) □48.5□	1820 (53.5)	2590 (53.5) □53.5□	2130 (57.5)
80											1810 (50.5) □50.5□	1360 (55)
85											1130 (47.5) □47.5□	680 (52.5)
90												
Min degree						35	20	46	40	48	45	52
0 deg	17390	6340	9150	700	5290							
Part Line	12	9	9	9	9	6	6	5	5	5	5	3
mode	I,II	I	II	I	II	I	II	I	II	I	II	I,II
TELE1	0%	50%	0%	100%	0%	100%	0%	100%	0%	100%	50%	100%
TELE2	0%	0%	17%	0%	33%	33%	66%	66%	100%	83%	100%	100%
TELE3	0%	0%	17%	0%	33%	33%	66%	66%	100%	83%	100%	100%
TELE4	0%	0%	17%	0%	33%	33%	66%	66%	100%	83%	100%	100%

WARNING: Do not elevate the retracted boom above 74°. The crane may tip over backwards.

Number in parentheses () is the Boom Angle in Degrees.
 * This rated load is with the boom at the maximum boom angle.

* This chart is only a guide and should never be used to operate the crane!



ON TIRES

STATIONARY CAPACITIES - 360°

Sany SRC885 Load Stationary, On Tires, 360° Counterweight 19,840 lb (9000kg)				
Radius	38.7	52.3	65.9	93.2
Feet	lb	lb	lb	lb
15	27710 (59)			
20	18710 (49)	17720 (61.5)	16930 (68)	
25	12860 (37.5)	11920 (55)	11160 (63)	11150 (71.5)
30	8380 (19)	7580 (47.5)	6870 (58)	9580 (68)
35		4620 (39)	3930 (52.5)	6530 (65)
40				4230 (61.5)
45				2610 (57.5)
Min Boom Angle	0°	36°	48°	55°
Part Line	6	4	4	4

Number in parentheses () is the Boom Angle in Degrees.

* This rated load is with the boom at the maximum boom angle.

Lifting Capacities at 0° Boom Angle

Boom Angle	Main Boom Length in Feet			
	38.7			
0°	3430 (31.1)			

Number in parentheses () is the Radius in Feet.

WARNING: Do not elevate the retracted boom over the side above 74° with the 19,840 lb (9000kg) counterweight installed or 47° with the 28,660 lb (13000kg) counterweight installed. The crane may tip over backwards.

NOTES TO ALL ON TIRE CAPACITY CHARTS:

1. Capacities are in pounds and do not exceed 75% of tipping loads as tested in accordance with SAE J765.
2. Capacities are applicable to machines equipped with 29.5-25 38PR at 83 psi cold inflation pressure.
3. Capacities appearing above the bold line are based on structural strength and tipping should not be relied upon as a capacity limitation.
4. Capacities are applicable only with machine on firm level surface.
5. On tire lifting with the boom extensions is not permitted.
6. For pick and carry operation, boom must be centered over the front of the machine with the swing lock engaged and the load restrained from swinging. When handling loads in the structural range with capacities close to maximum ratings, travel should be reduced to creep speeds. Especially avoid any abrupt steering, accelerating or braking.
7. Axle lockouts must be functioning when lifting on tires.
8. All lifting depends on proper tire inflation, capacity and condition. Capacities must be reduced for lower tire inflation pressures. See lifting capacity information for tire used. Damaged tires are hazardous to safe operation of crane.
9. Capacities are applicable to machines equipped with Standard Counterweight 19,840 lb (9000kg). Don't swing the superstructure on tires with Optional Counterweight 28,660 lb (13000kg).
10. When making lift on rubber stationary, set parking brake.

* This chart is only a guide and should never be used to operate the crane!

STATIONARY OVER FRONT

Sany SRC885 Stationary Over Front On Tires Counterweight 19,840 lb (9000kg)				
Radius	38.7	52.3	65.9	93.2
Feet	lb	lb	lb	lb
12	52000 (64)	50000 (71.5)		
15	44000 (59)	43500 (68)		
20	36850 (49)	32000 (61.5)	35000 (68)	
25	27000 (37.5)	25500 (55)	27300 (63)	22500 (71.5)
30	20000 (19)	19200 (47.5)	21200 (58)	22500 (68)
35		16200 (39)	15400 (52.5)	18350 (65)
40		11900 (28)	11370 (46.5)	14120 (61.5)
45			8370 (40)	11020 (57.5)
50			6080 (32)	8640 (54)
55				6710 (50)
60				5400 (45.5)
Min Boom Angle	0°	0°	26°	37°
Part Line	6	6	4	4

Number in parentheses () is the Boom Angle in Degrees.

* This rated load is with the boom at the maximum boom angle.

See notes on **STATIONARY CAPACITIES - 360°** for operating instructions.

Lifting Capacities at 0° Boom Angle

Boom Angle	Main Boom Length in Feet			
	38.7	52.3		
0°	12370 (31.1)	4820 (43.9)		

Number in parentheses () is the Radius in Feet.

* This chart is only a guide and should never be used to operate the crane!

PICK & CARRY CAPACITIES (UP TO 2.5 MPH) -BOOM CENTERED OVER

Sany SRC885 Pick & Carry Counterweight 19,840 lb (9000kg)				
Radius	38.7	52.3	65.9	93.2
Feet	lb	lb	lb	lb
12	42000 (64)	41000 (71.5)		
15	42000 (59)	41000 (68)		
20	31480 (49)	30620 (61.5)	22000 (68)	
25	24340 (37.5)	23480 (55)	20000 (63)	19000 (71.5)
30	18950 (19)	18180 (47.5)	17490 (58)	17500 (68)
35		14230 (39)	13540 (52.5)	16160 (65)
40		11040 (28)	10430 (46.5)	13040 (61.5)
45			7940 (40)	10540 (57.5)
50			5900 (32)	8500 (54)
55				6700 (50)
60				5120 (45.5)
Min Boom Angle	0°	0°	22°	37°
Part Line	6	6	4	4

Number in parentheses () is the Boom Angle in Degrees.

* This rated load is with the boom at the maximum boom angle.

See notes on **STATIONARY CAPACITIES - 360°** for operating instructions.

Lifting Capacities at 0° Boom Angle

Boom Angle	Main Boom Length in Feet			
	38.7	52.3		
0°	10780 (31.1)	3900 (43.9)		

Number in parentheses () is the Radius in Feet.

TIRE INFLATION INFORMATION

Tire size and ply rating	Inflation Pressure PSI	
	Static	Travel
29.5-25 38PR	83	83

* This chart is only a guide and should never be used to operate the crane!





C885



SANY
AMERICA INC.

318 Cooper Circle
Peachtree City, GA 30269
Tel: 678-251-2810
Fax: 770-632-7820